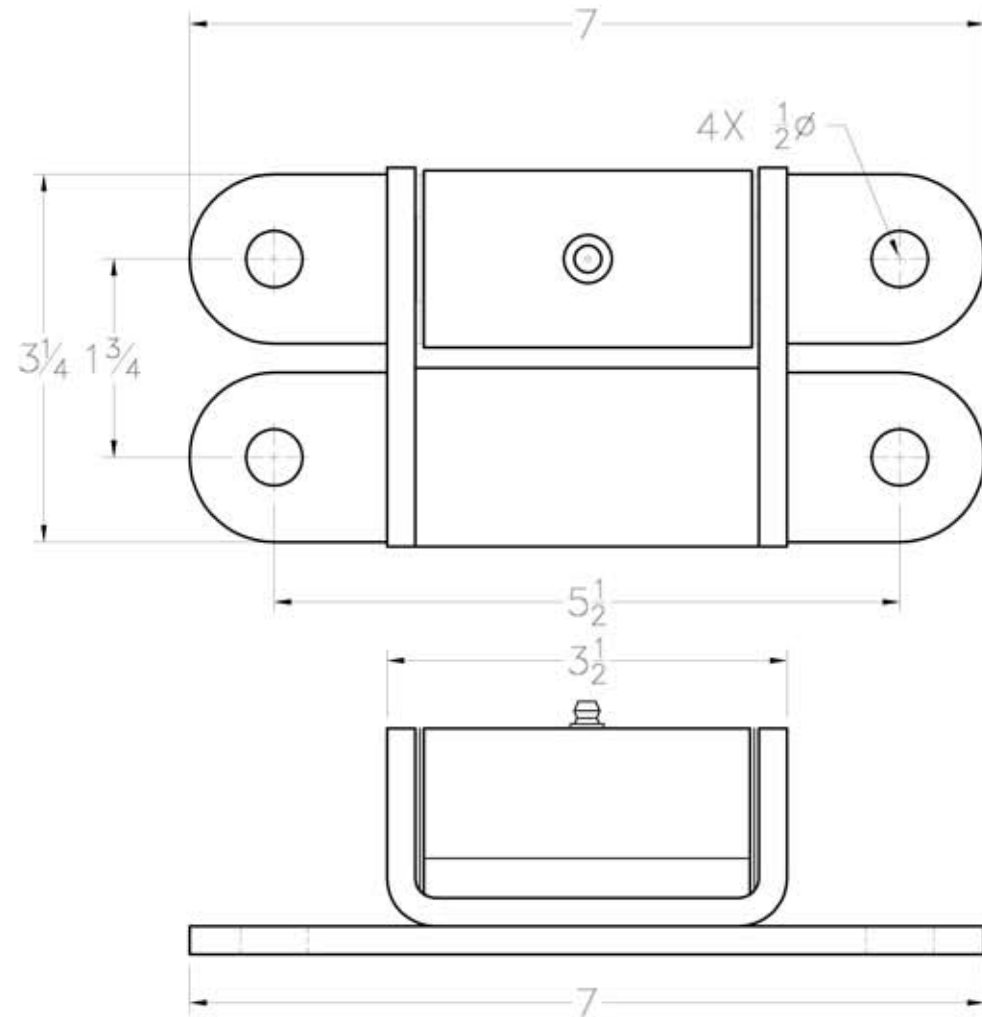


NOTES:

1. MATERIAL: CARBON STEEL
2. ALL DIMENSIONS ARE IN STANDARD INCHES
3. WELDED CONSTRUCTION
4. FINISH:
2062.100 PRIMED
2062.150 UNFINISHED
2062.300 POWDER COATED BLACK
5. MOUNT: BOLT ON
6. RATED TO 1000 POUNDS (454 kg) PER PAIR



Guardian
GATE HARDWARE

DESCRIPTION GORILLA HD HINGE MODEL 2062			
DATE 09/09/10	SCALE 1=1		
DRAWN BY	SHEET 1 OF 1	DESIGNER B	REVISION
PART NUMBER GH-SPEC-2062			0