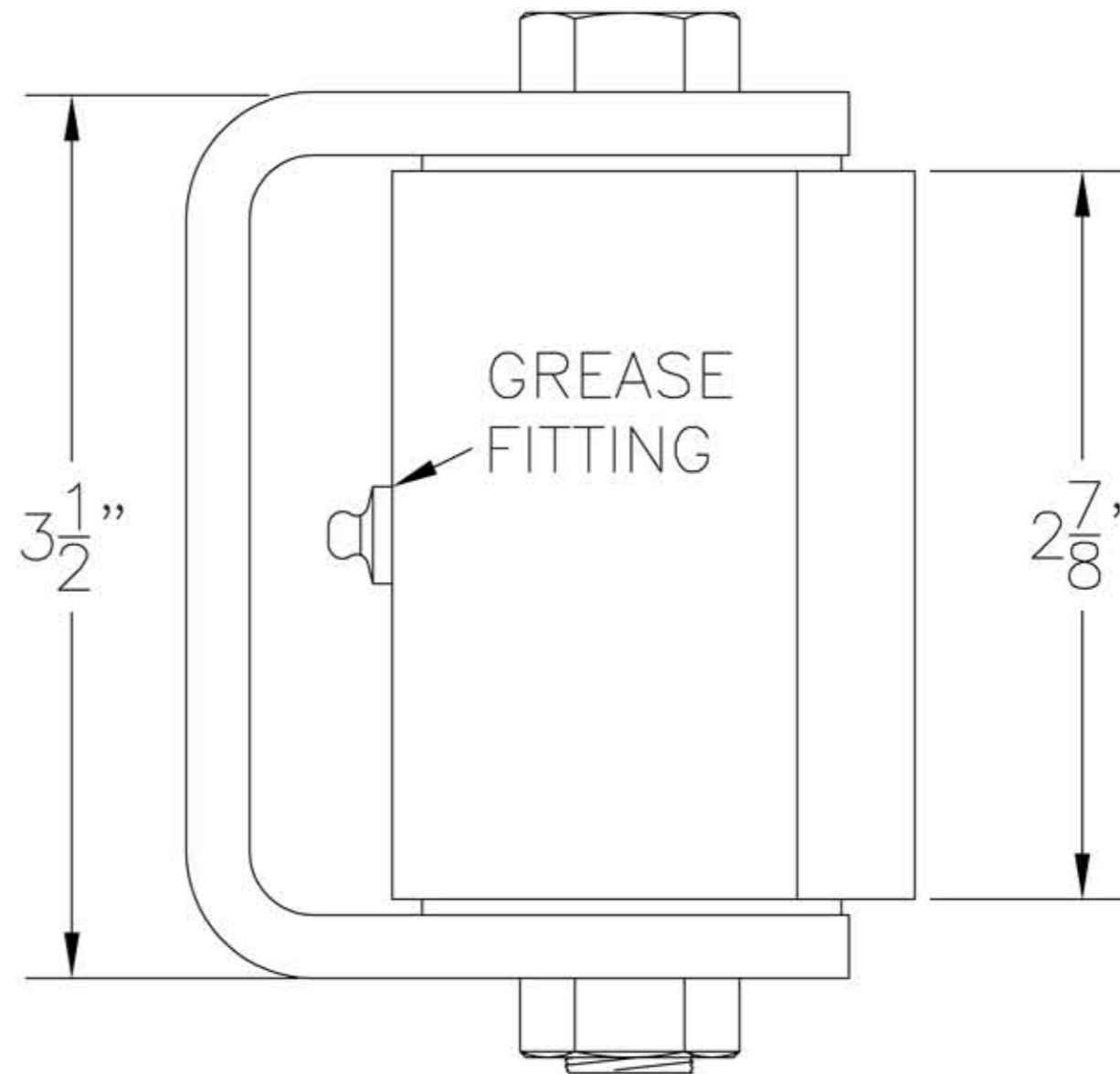
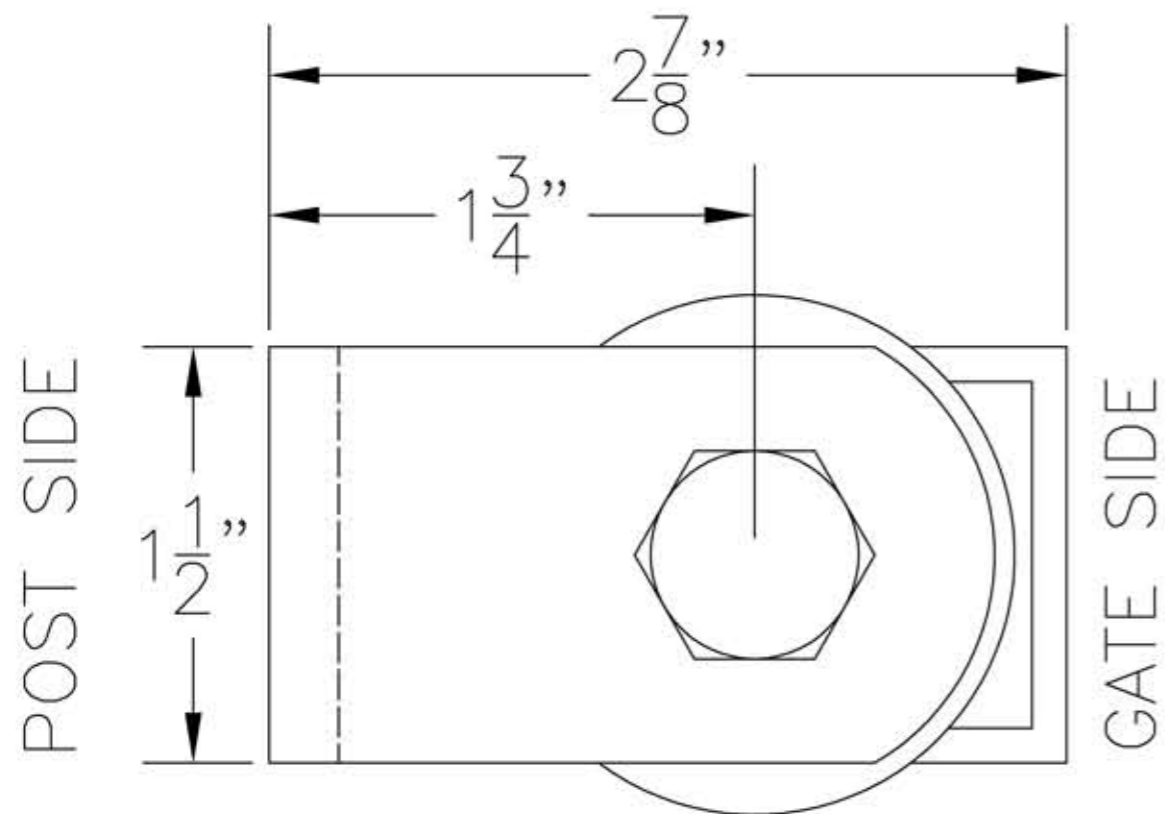


NOTES:

1. MATERIAL:
POST SIDE—CARBON STEEL
GATE SIDE—ALUMINUM
2. ALL DIMENSIONS ARE
STANDARD INCH
3. WELDED
CONSTRUCTION
4. FINISH:
2170.100—STEEL: PRIMER
ALUMINUM: NONE
5. MOUNTING:
POST—FLAT
GATE—FLAT
6. RATED TO 600 POUNDS
(272 KG.) PER PAIR



DESCRIPTION			
GUARDIAN STD. HINGE MODEL 2170			
DATE	04/10/07	SCALE	NTS
DRAWN BY	H.S.	SHEET	1 OF 1
		SHEET SIZE	B
PART NUMBER	GH-SPEC-2170		REVISION
			0