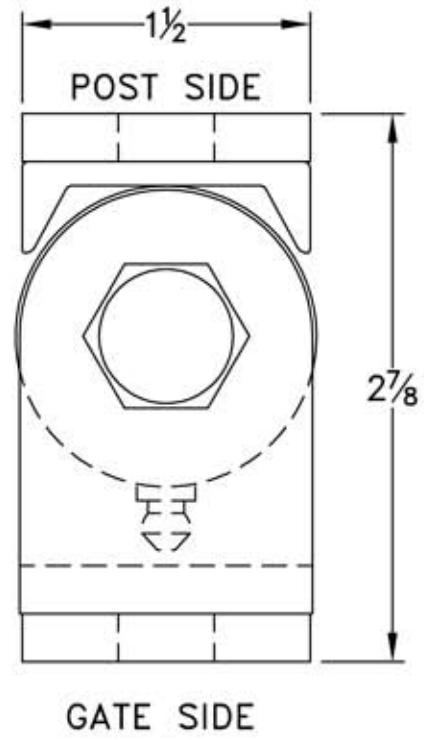
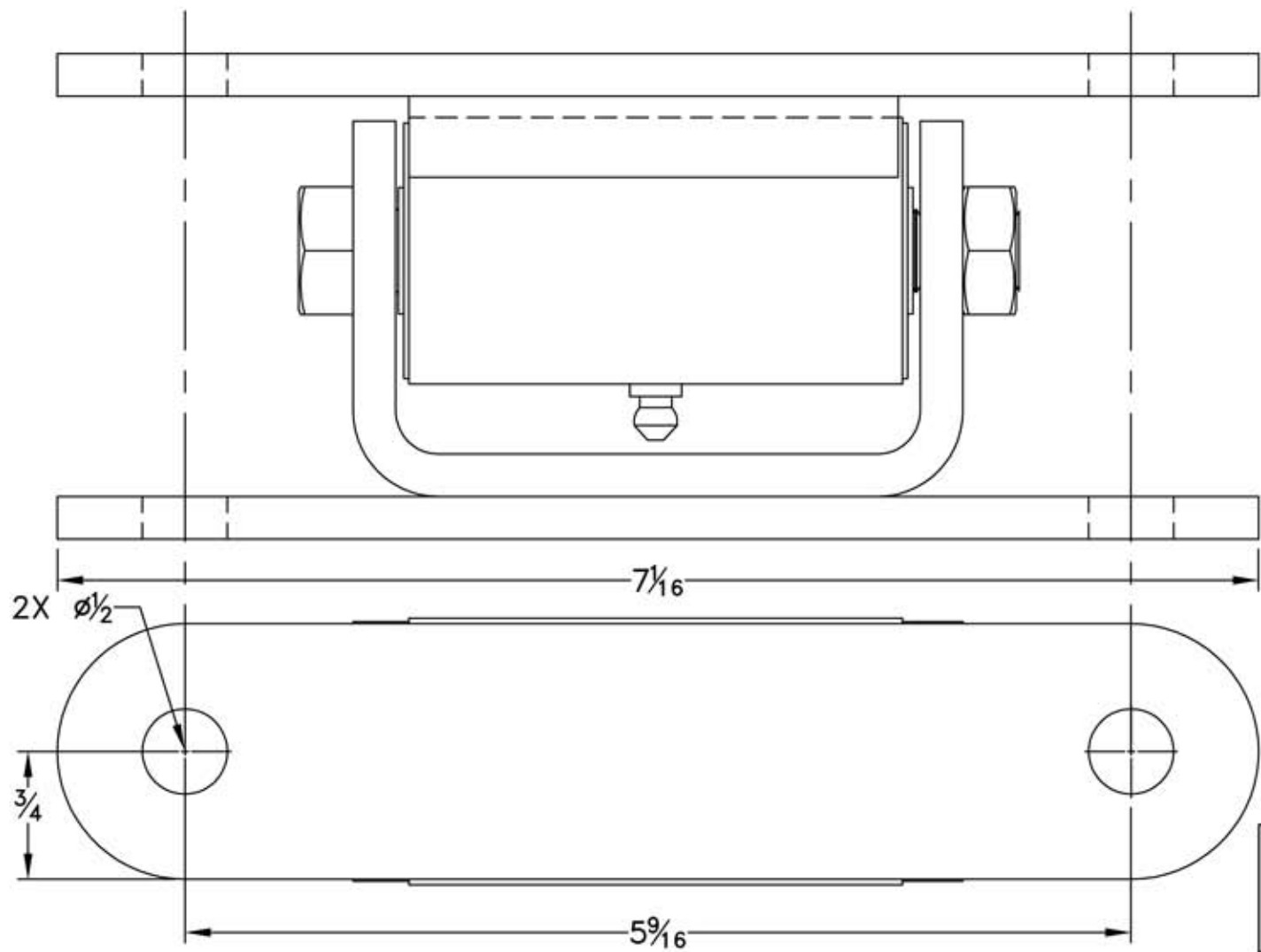


NOTES: UNLESS OTHERWISE SPECIFIED

1. MATERIAL-CARBON STEEL
2. RATED TO 1000lbs (454kg) PER PAIR
3. 2150.100--PRIME COATED
4. 2150.150--UNFINISHED
5. 2150.200--GALVANIZED



DESCRIPTION			
GUARDIAN STANDARD HINGE			
DATE	03/14/11	SCALE	AS DIMENSIONED
DRAWN BY	REJ	SHEET	1 OF 1
		SHEET SIZE	A
PART NUMBER			REVISION
2150.XXX			-

