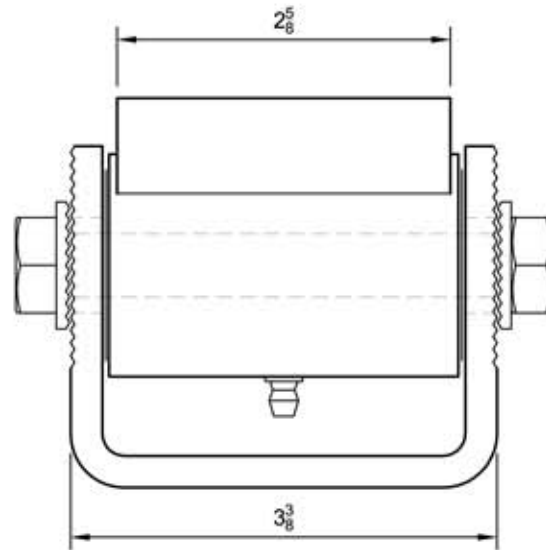
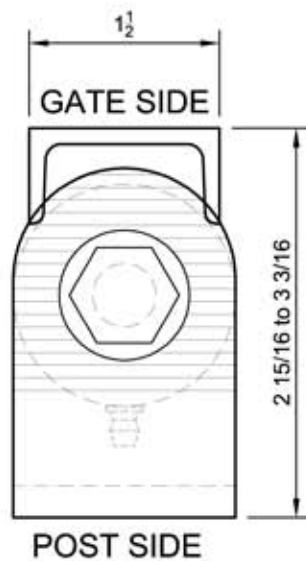


NOTES:

1. MATERIAL: CARBON STEEL
2. ALL DIMENSIONS ARE IN STANDARD INCHES
3. WELDED CONSTRUCTION
4. FINISH:
3100.100 PRIMED
3100.150 UNFINISHED
5. MOUNTING CONDITION: AS NOTED
6. RATED TO 1000 POUNDS (454 kg) PER PAIR



ADJUSTABLE HINGE
MODEL 3100

DATE	11/12/10	SCALE	1=1
DRAWN BY	SM	SHEET	1 OF 1
			11X17
PART NUMBER	HINGE 3100		REVISION
			-