

RIDGE 2.0 QUICK START GUIDE



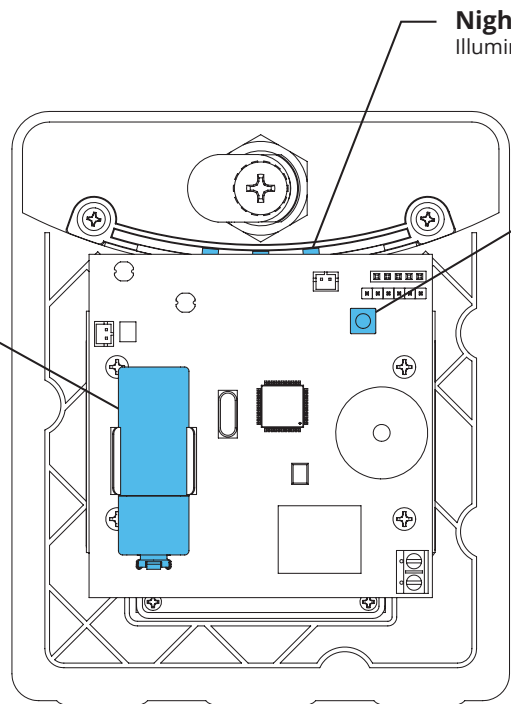
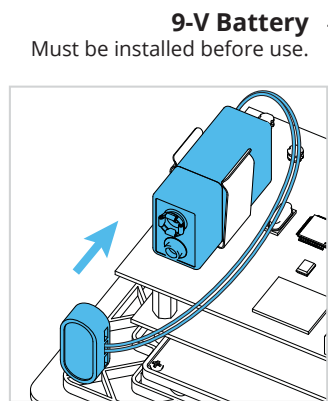
1 Carefully unpack box.

2 Make sure all components are present.

Keypad Unit Transceiver Unit 9-V Battery Key Carriage Bolt (x4) Hex Nut (x4)

What's what?

All the important internal components labeled for you

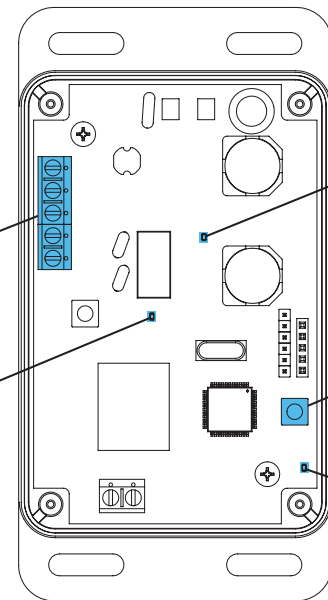


Keypad Unit

Back of front panel shown with 9-V battery installed
Internal wiring not shown for clarity.

Connection Terminals
For wiring to compatible AC/DC power source and gate operator or door opener

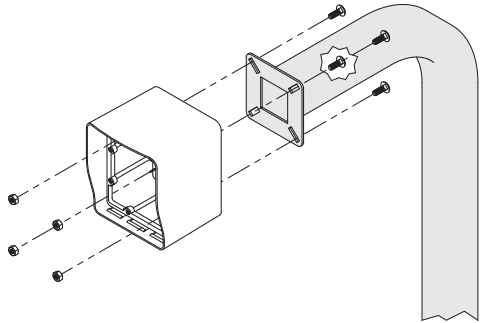
Relay Status LED
Indicates whether relay is active or inactive (Relay is active when lit)



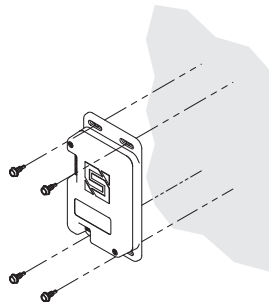
Transceiver

Shown with cover removed.
Internal wiring not shown for clarity.

3 Unlock and remove front panel of keypad unit, then using included carriage bolts and hex nuts, attach unit to pedestal as shown.



4 Using TEK screws, zip ties, or another type of fastener (not included), attach transceiver to inside wall or another surface of gate operator.



CAUTION!
Transceiver is not weatherproof and must be mounted inside a weatherproof enclosure. Internal components can be damaged if exposed to the elements.
Failure to comply will VOID WARRANTY.

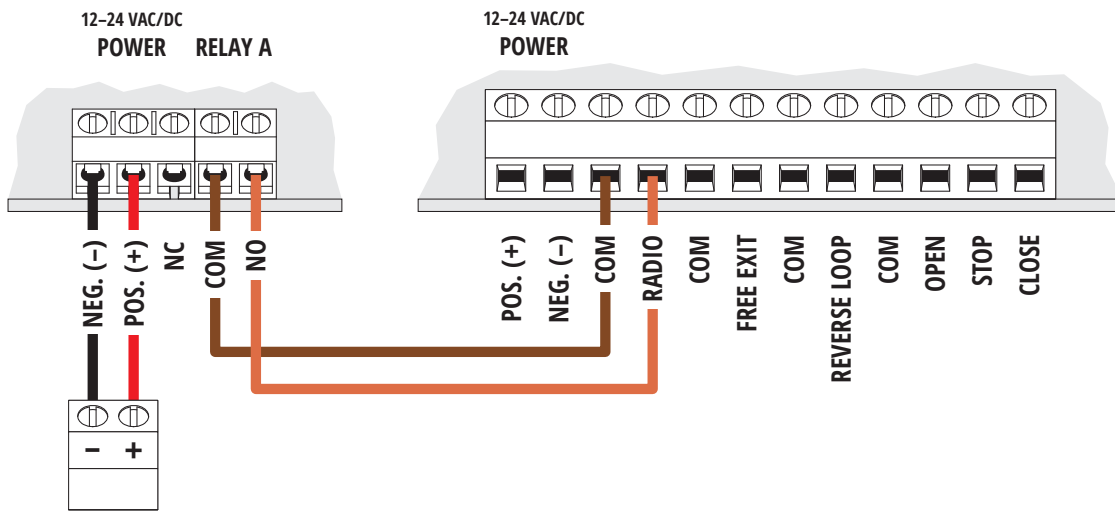
WARNING!
AUTOMATIC GATES CAN CAUSE SERIOUS INJURY OR DEATH!
ALWAYS CHECK that the **GATE PATH IS CLEAR BEFORE OPERATING!**
REVERSING or other **SAFETY DEVICES SHOULD ALWAYS BE USED!**

5a Connect transceiver

Gate Operator Timer-to-Close
OFF

Ridge Transceiver

Gate Operator / Door Opener



12-24-VAC/DC
Power Source
(Not Included)

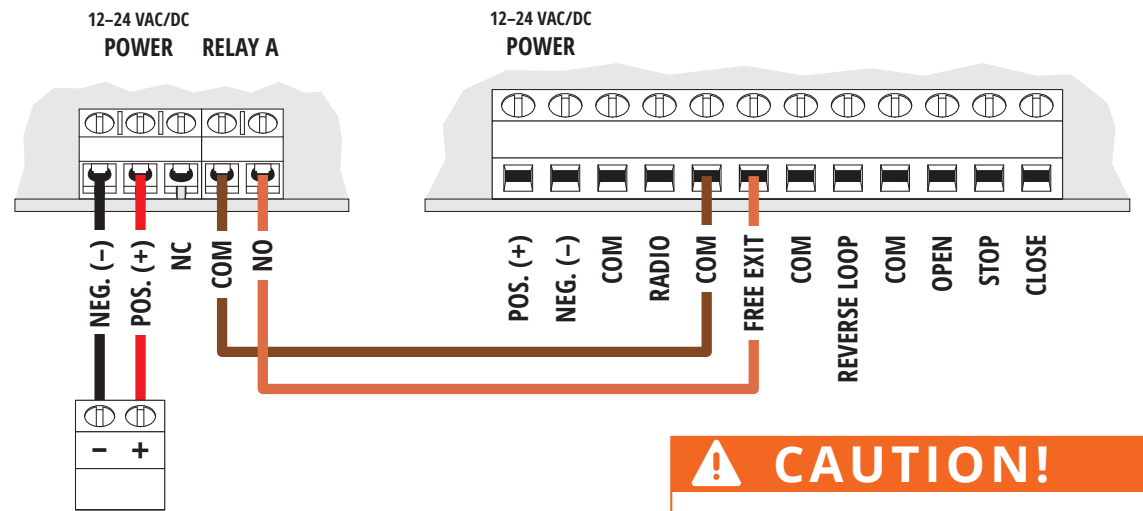
OR

5b Connect transceiver

Gate Operator Timer-to-Close
ON

Ridge Transceiver

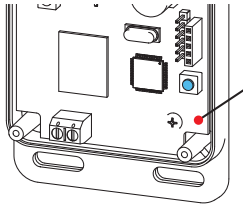
Gate Operator / Door Opener



12-24-VAC/DC
Power Source
(Not Included)

CAUTION!
A closing gate can cause injury to persons or damage to property.
ALWAYS USE SAFETY DEVICES!

6a Press and hold Programming button on transceiver circuit board for 1 second then let go.



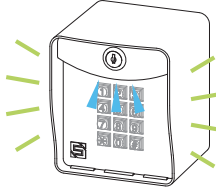
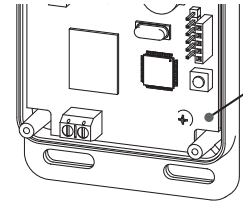
LED will light solid red

6b Pair keypad with transceiver by entering sequence below on keypad.
(Make sure 9-V battery is connected to keypad)

1
2
5
1
→
9
→
1
→
*

Master Code
(can be changed)
 Channel
(1 for A, 2 for B)

6c While pairing, keypad will beep and LEDs will flash. Once pairing is complete, keypad will sound a "good" tone and transceiver LED will go out.


LED will go out


7 Add Access Code to Channel A.
(To add multiple codes, enter them all before pressing pound key)

1
2
5
1
→
1
→
?
?
?
?
→
#

Master Code
(can be changed)
 Access Code
(4 digits)

8 Make sure gate path is clear, then enter access code on keypad and confirm gate opens.
(If keypad locks up, repeat Step 6)





INSTALLATION COMPLETE!

Your system is ready to use.

Additional programming commands

A Delete Code
(To delete multiple codes, enter them all before pressing pound key)

1
2
5
1
→
2
→
?
?
?
?
→
#

Master Code
(can be changed)
 Code to Be Deleted
(4 digits)

B Set Unique Keypad ID
(Allows multiple keypads and transceivers to be used. If Keypad ID is changed, keypad and transceiver must be paired again.)

1
2
5
1
→
9
→
5
→
?
?
?
?
→
#

Master Code
(can be changed)
 Unique Keypad ID
(4 digits)

More programming commands

Change Master Code

1 2 5 1 → 3 → ? ? ? ? → #

Current Master Code
(if unchanged)

New Master Code
(4 digits)

Add Latch Code

1 2 5 1 → 5 → 1 → ? ? ? ? → #

Master Code
(can be changed)

Channel
(1 for A, 2 for B)

Latch Code
(4 digits)

One-Time-Use Code (Channel A ONLY)

1 2 5 1 → 8 → ? ? ? ? → ? → #

Master Code
(can be changed)

One-Time-Use Code
(4 digits)

of Uses
(1-9)

Add Access Code to Channel B

(To add multiple codes, enter them all before pressing pound key)

1 2 5 1 → 7 → ? ? ? ? → #

Master Code
(can be changed)

Access Code
(4 digits)

Delete All Codes (Cannot Be Undone)

1 2 5 1 → 0 → 1 2 5 1 → #

Master Code
(can be changed)

Master Code Again

Change Relay Output Time

1 2 5 1 → 6 → 1 → ? ? ? → #

Master Code
(can be changed)

Channel
(1 for A, 2 for B)

Seconds
(000-999)

Three Strikes, You're Out

Check Status

1 2 5 1 → 4 → 2 →  → #

Master Code
(can be changed)

Audible Tone
(On: 1 beep; Off: 2 beeps)

Turn On or Off

1 2 5 1 → 4 → 2 →  → 1 2 5 1 → #

Master Code
(can be changed)

Audible Tone
(On: 1 beep; Off: 2 beeps)

Master Code
(can be changed)



Phone: (888) 378-1157
Local: (330) 650-9226
Email: sales@tigerteethstore.com

