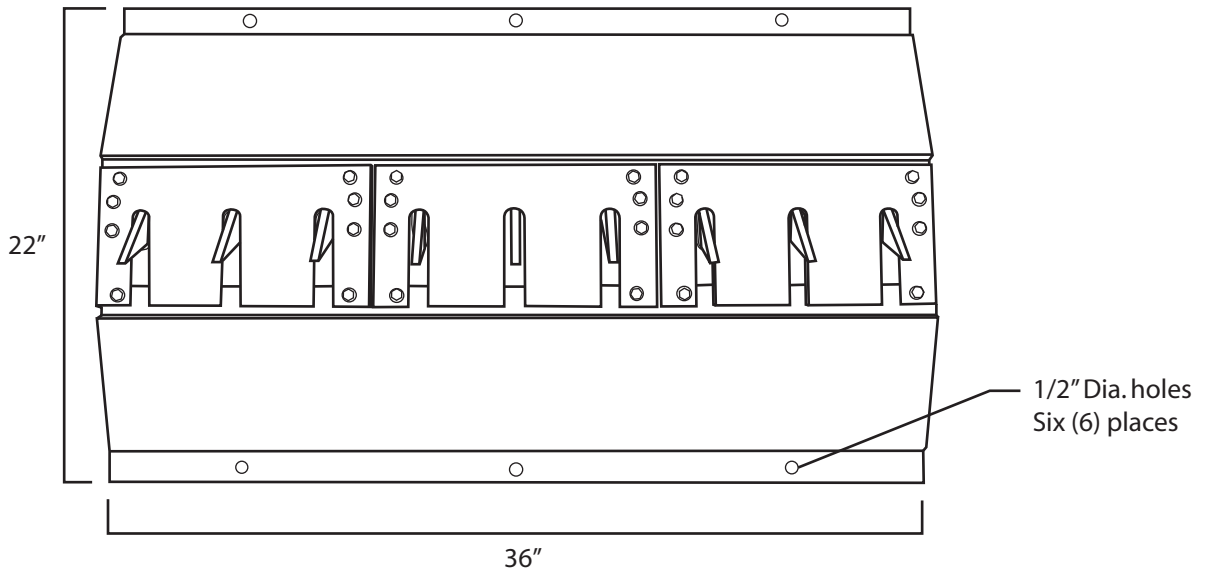
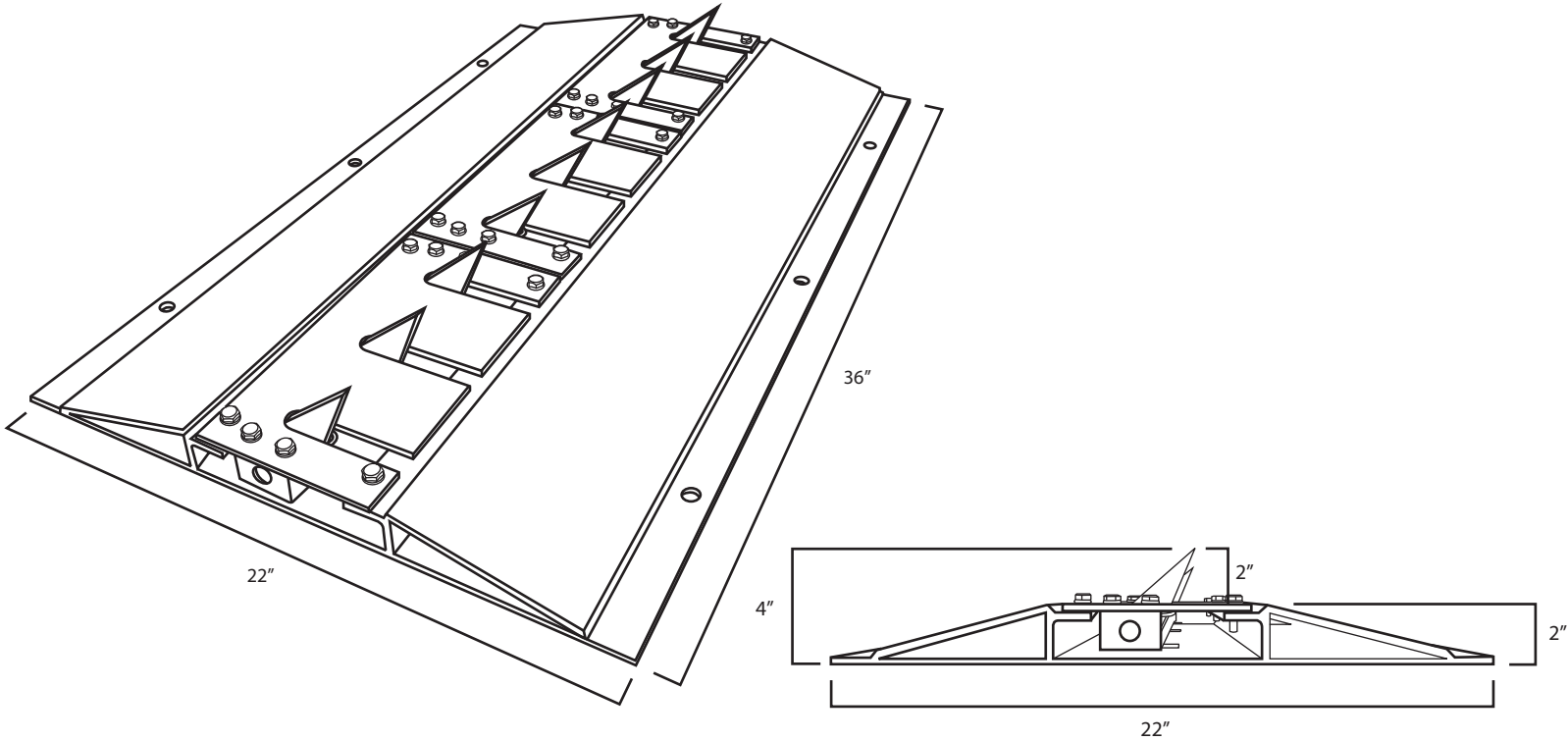


MODEL RB-36

DIRECTIONAL TRAFFIC CONTROLLER



SURFACE MOUNT INSTALLLATION

COLOR: TRAFFIC SAFETY RED

- Easily installed to existing roadway.
- No excavating or asphalt cutting is required.
- Low profile for smooth passage.
- Fabricated in 3 ft. sections. to customize your traffic lane width.
- All welded construction.
- 1/4" thick hot rolled steel for "lasting durability".
- Nominal dimensions shown.

