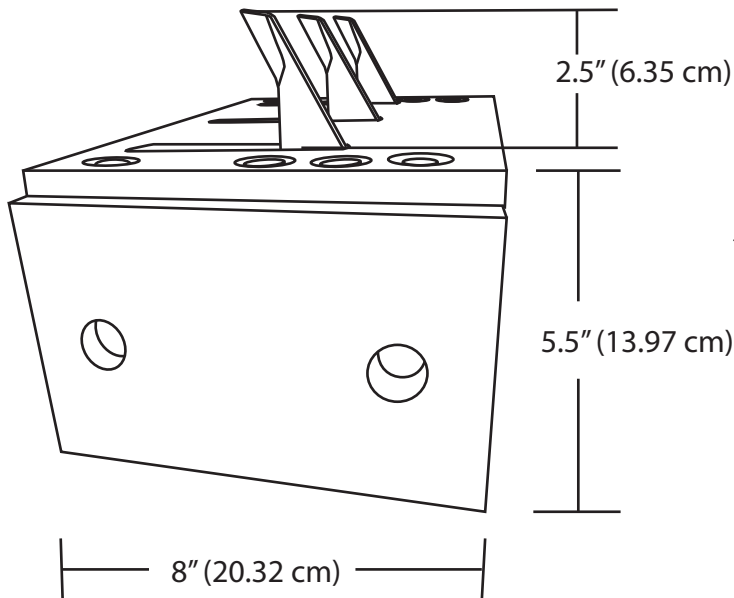
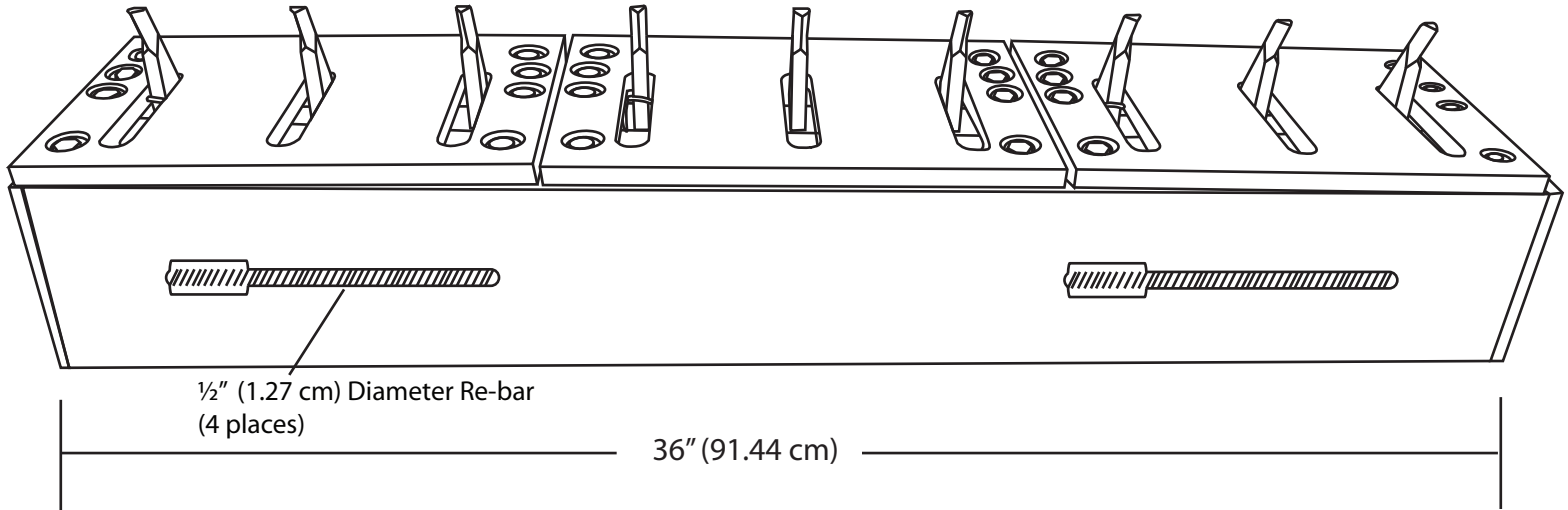
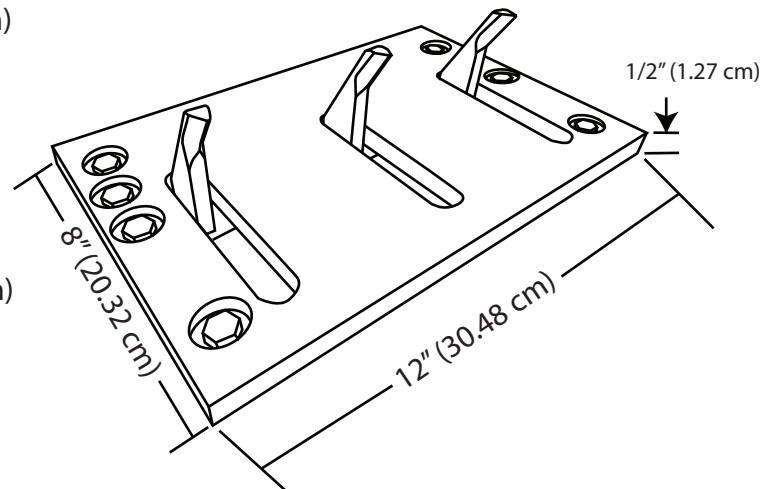


MODEL RB-723 HD

DIRECTIONAL TRAFFIC CONTROLLER



END VIEW



FLUSH MOUNT INSTALLLATION

COLOR: TRAFFIC SAFETY RED



- Easily installed to existing roadway.
- Minimal excavating to concrete or asphalt surface is required.
- Low profile for smooth passage.
- Fabricated in 3 foot (.91 meter) sections to customize your traffic lane width.
- All welded construction.
- 1/2" (1.27 cm) thick hot rolled steel for "lasting durability".

Load Rated and Approved for Heavy Axle Load Vehicles - 40,000 lbs./20 Tons per single axle load.

www.TigerTeethStore.com | (800) 878-7829 | Sales@TigerTeethStore.com