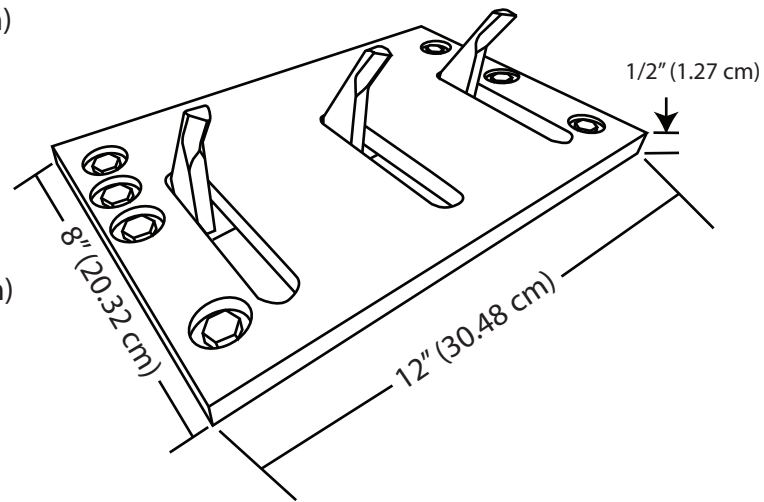
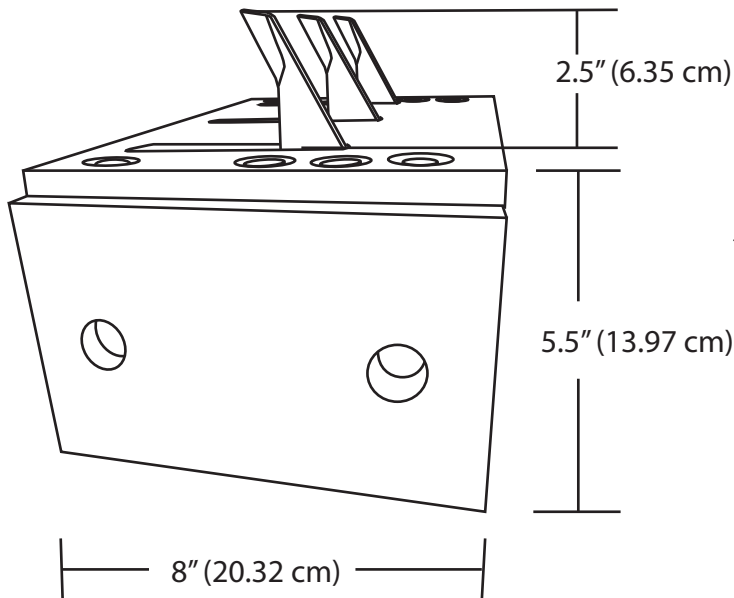
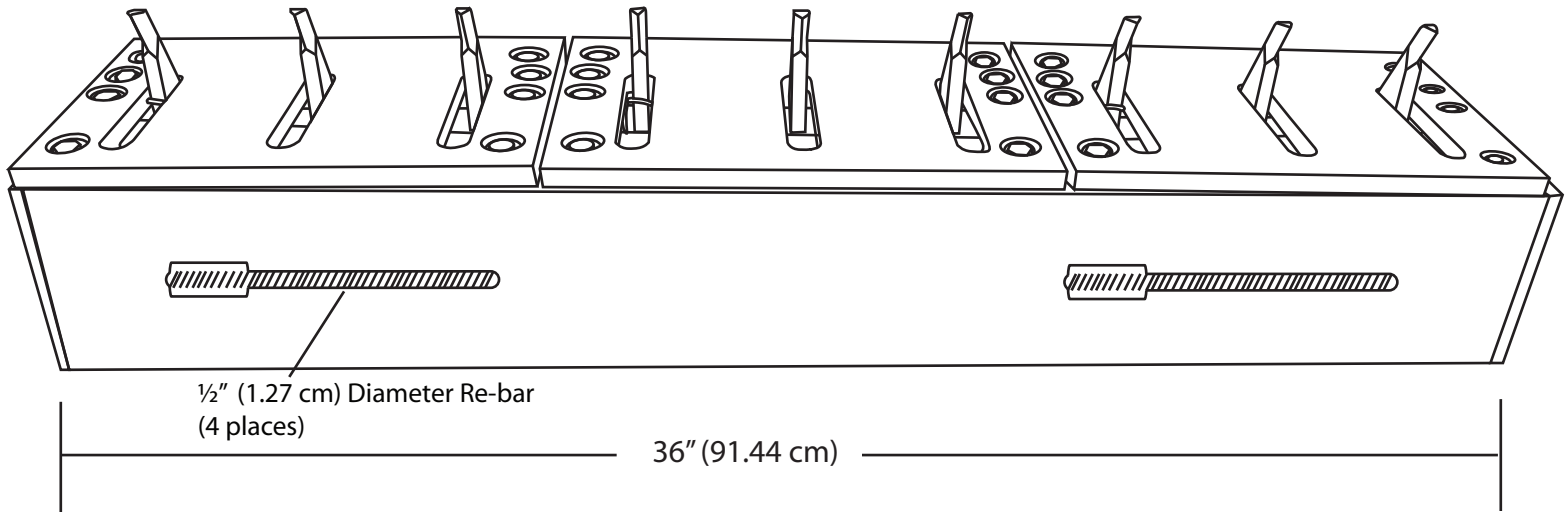


MODEL RB-723 HD

DIRECTIONAL TRAFFIC CONTROLLER



FLUSH MOUNT INSTALLLATION

COLOR: TRAFFIC SAFETY RED

- Easily installed to existing roadway.
- Minimal excavating to concrete or asphalt surface is required.
- Low profile for smooth passage.
- Fabricated in 3 foot (.91 meter) sections to customize your traffic lane width.
- All welded construction.
- 1/2" (1.27 cm) thick hot rolled steel for "lasting durability".
- **Load Rated 14 Tons or 32,000 Lbs. Per Single Axle Load**